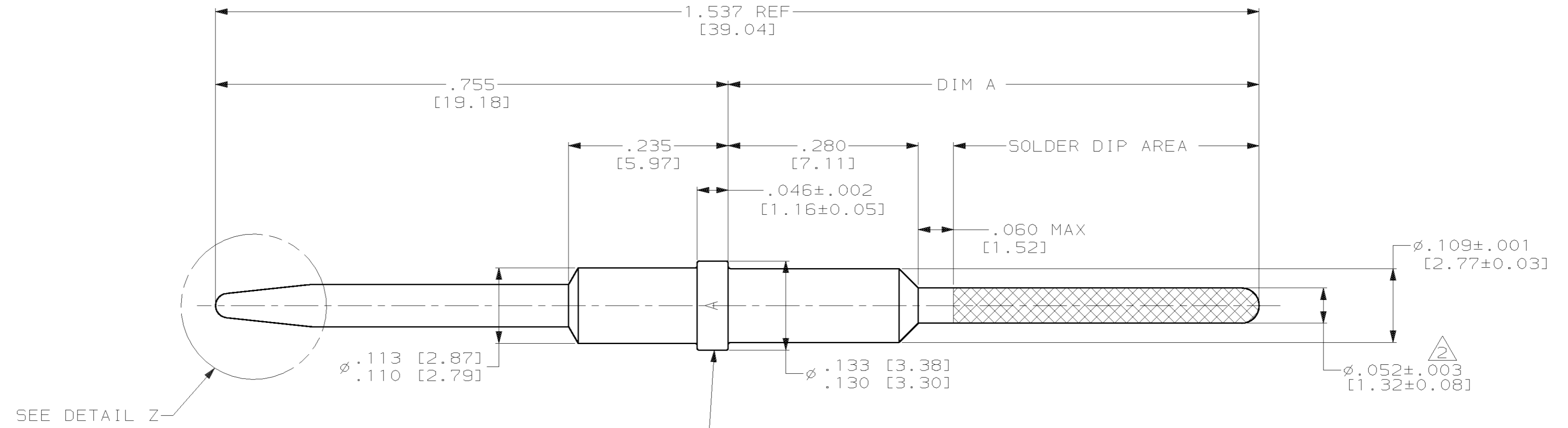


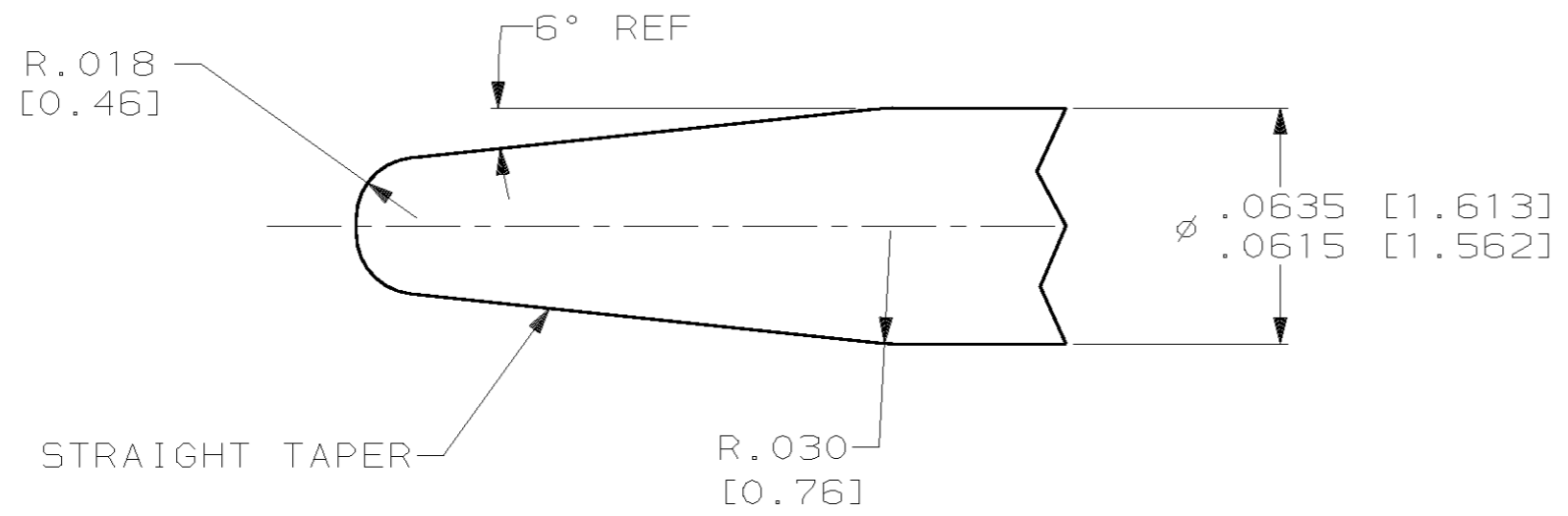
THIS DRAWING IS UNPUBLISHED. RELEASED FOR PUBLICATION .19  
 (C) COPYRIGHT 19 BY AMP INCORPORATED. ALL RIGHTS RESERVED.

LOC		DIST		REVISIONS			
P	LTR	DESCRIPTION	DATE	DWN	APVD		
B		REV PER 063D-0517-03	9-11-03	JMK	SG		

- 1. FOR USE IN ARINC 600 REAR RELEASE INSERT.
- 2. DIMENSIONS APPLY BEFORE SOLDER DIP.



MAT'L: LEADED COPPER PER ASTM-B-301  
 FINISH: PLATED GOLD .000050 [0.0012] MIN THK  
 PER ASTM-B-488 OVER NICKEL .000050 [0.0012]  
 MIN THK. PER QQ-N-290



.522 [13.26]	NO	1-1663128-0
.652 [16.56]	NO	1663128-8
.635 [16.13]	YES	1663128-6
.635 [16.13]	NO	1663128-5
.782 [19.86]	YES	1663128-3
.782 [19.86]	NO	1663128-2
DIM A	SOLDER DIP	PART NUMBER

THIS DRAWING IS A CONTROLLED DOCUMENT.		DWN	C.C. THOMAS	11-19-02	<b>tyco</b> Electronics	TYCO Electronics Harrisburg, PA 17105-3608
DIMENSIONS: INCHES [mm]		CHK	S. GLATFELTER	11-19-02		
TOLENCES UNLESS OTHERWISE SPECIFIED:		APVD	S. GLATFELTER	11-19-02	NAME	
0 PLC ±-		PRODUCT SPEC		PIN CONTACT, POSTED, SIZE 16, REAR RELEASE, ARINC 600		
1 PLC ±-		APPLICATION SPEC		SIZE		
2 PLC ±-		WEIGHT		CAGE CODE		
3 PLC ±.005 [0.13]		CUSTOMER DRAWING		DRAWING NO		
4 PLC ±-		SCALE		SHEET		
ANGLES ±-		8:1		1 OF 1		
FINISH		REV		B		
SEE CALLOUT		SEE CALLOUT		REV		